

# Flexible set up. Active learning.



## Some tips

1. Ask your students to set up the room by referencing the layout number
2. Consider sharing with your students your preferred layout before class and ask them to begin to arrange the rooms when they arrive
3. Use these suggestions to help plan your classroom activities or let them inspire you to come up with your own ideas

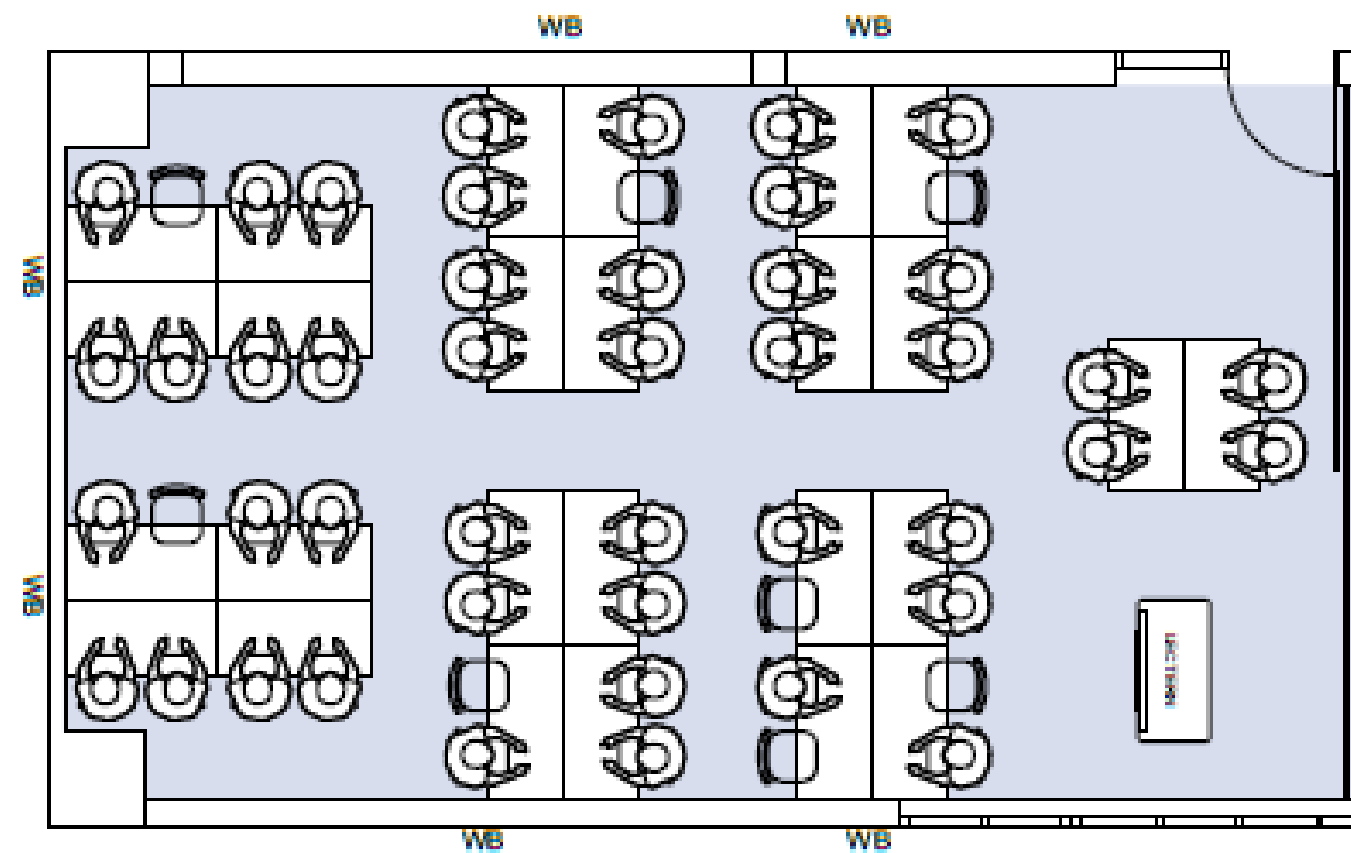
Learning Environments welcomes your feedback:

[learningenvironments@unsw.edu.au](mailto:learningenvironments@unsw.edu.au)

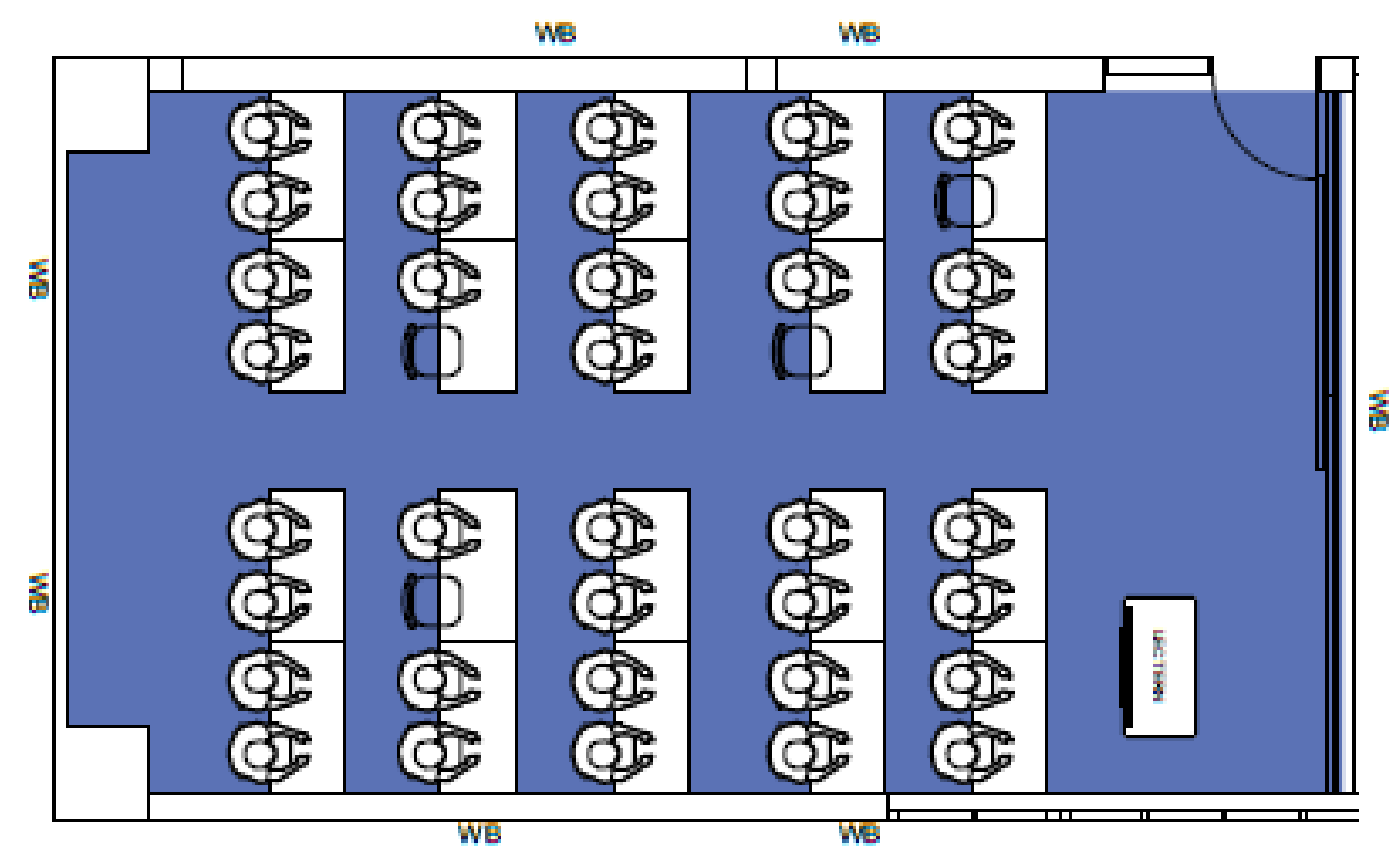
Explore more of our Teaching Resources  
Scan here:



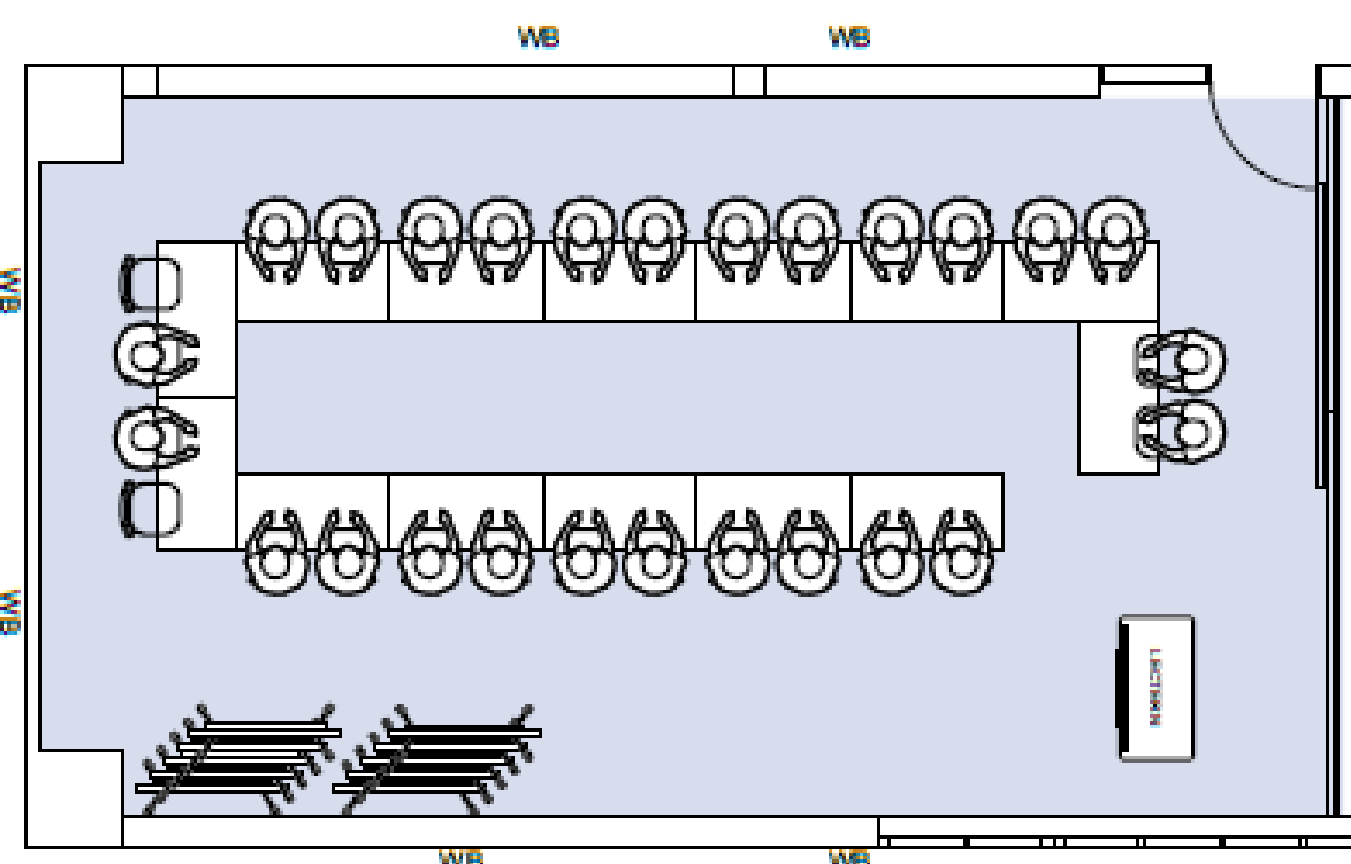
Layout 1



Layout 2



Layout 3



Layout 4

